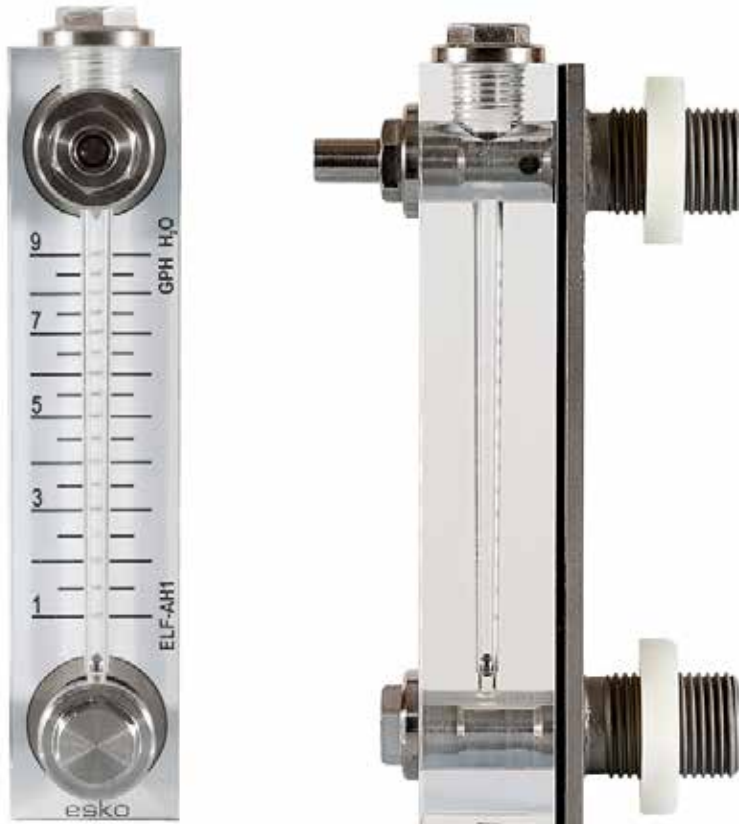


ELF FLOW METER



Compact flow meter for measurement of small flows of liquids or gases.

Easy to change from one flow range to another by swapping out float and scale.

APPLICATIONS

- Bubble tube level
- Density measurement
- Pressurized instrument enclosures
- Flow measurement

FEATURES

- Solid construction, reliable operation
- North American standard size parts
- Tube and o-ring material options
- Corrosion and heat resistance

SPECIFICATIONS

MODEL	ELF-A	ELF-T	ELF-G
BODY MATERIAL	ACRYLIC	TROGAMID®	GRILAMID®
Best for	Typical applications	Corrosion and freeze resistance	Heat resistance
Metallic parts	SS316	SS316	SS316
O-ring seals	Nitrile (optional Viton® or EPDM)	Nitrile (optional Viton® or EPDM)	Nitrile (optional Viton® or EPDM)
Maximum temperature	167°F / 75°C @ 290 PSI	158°F / 70°C	176°F / 80°C
Maximum pressure	440 PSI @ 85°F (30°C)	440 PSI @ 85°F (30°C)	440 PSI @ 85°F (30°C)
Connections	¼" NPT	¼" NPT	¼" NPT
Weight	0.75 lb (0.34 kg)	0.60 lb (0.30 kg)	0.60 lb (0.30 kg)

Build options: Body material, o-ring material, handknob, calibration for non-standard liquids or gases

Optional accessories: Pair any ELF meter with constant flow regulator model EFR3



www.eskopacific.com
 ELF DATASHEET

ELF FLOW METER

FLOW METER

ELF

BODY MATERIAL

Acrylic
 Grilamid
 Trogamid

A
G
T

FLOW RANGE

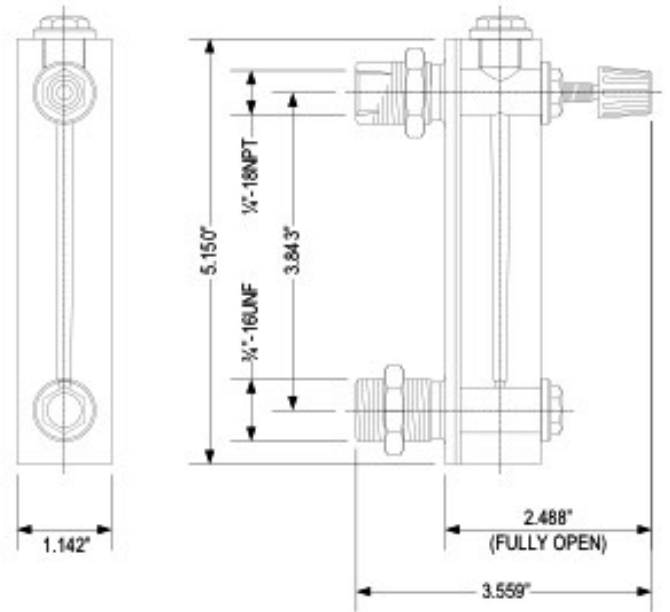
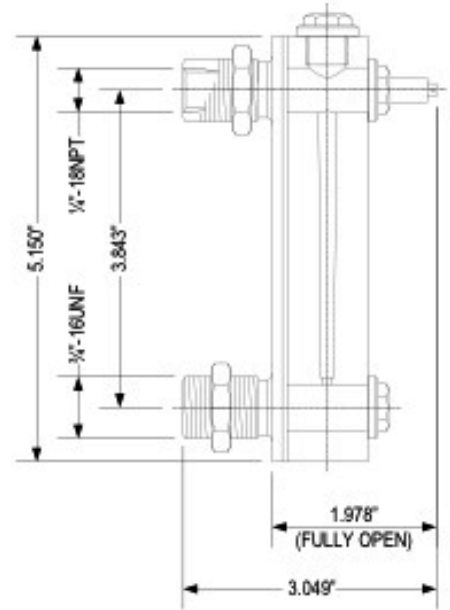
WATER		AIR		
GPH	LPM	SCFH	NLPM	
0.35	0.02	2.5	1.3	A
0.6	0.04	3.5	1.8	B
1.0	0.06	5.5	2.6	C
1.5	0.10	8.5	4	D
2.2	0.14	14	6	E
4	0.25	18	9	F
6	0.4	28	12	G
9	0.55	40	18	H
12	0.8	60	30	I
20	1.2	100	45	J
40	2.5	120	60	K

SCALE

Water GPH **1**
 Air SCFH (14.7 psia @ 68°F) **2**
 Dual Scale GPH / SCFH **3**
 Water LPM **4**
 Air NLPM (101.3 kPa @ 20°C) **5**
 Dual Scale LPM / NLPM **6**
 Percent Scale 10-100% **7**
 CC per Min **8**
 Relative Scale (1-10) **R**
 Custom scales available, use code **X**

OPTIONS

Constant Flow Regulator **C**
 EPDM o-ring seals **E**
 Hand adjusting knob **H**
 BSP threads **R**
 Viton o-ring seals **V**



HOW TO SPECIFY MODEL NUMBER, an EXAMPLE:

ELF meter for water flow up to 9 GPH, with handknob:

- Select body material **A** for acrylic **ELF-A**
- Specify range **H** up to 9 GPH **ELF-AH**
- Choose scale type **1** for water **ELF-AH1**
- Add option **H** for handknob **ELF-AH1-H**

SPECIAL MATERIALS AND SCALES use order code **ELF-X**

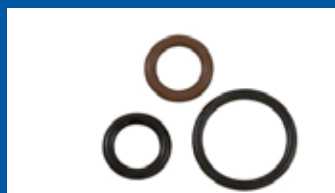
Custom materials, scales and scale markings are available.

A unique manufacturing number will be assigned at the time of production (eg. ELF-E9345)

Contact us for details.



BODY MATERIALS



O-RING SEALS



HAND KNOB



CONSTANT FLOW REGULATOR