

ELC PURGE FLOW METER



A new alternative for monitoring air and water purge flows or low flows of liquids or gases.

Based on the popular ELF model design.

APPLICATIONS

- Water and air purging
- Bubble tube level or density measurement
- Pressurized instrument enclosures
- Flow measurement

FEATURES

- Clear easy to read scale
- Available in selection of flow ranges
- Backout proof adjustment valve can be on inlet or outlet
- North American standard size parts

SPECIFICATIONS

MODEL	ELC-A
BODY MATERIAL	ACRYLIC
Valve assembly	POM
O-ring seals	Nitrile (Viton® optional)
Maximum pressure	145 psi 68°F (20°C)
Maximum temperature	122°F / 50°C @ 30 psi
Fittings	Delrin® (PVC optional)
Connections	1/4" NPT
Weight	0.26 lb (0.12 kg)
Build options	A selection of flow ranges, backout proof flow adjustment valve on inlet or outlet, o-ring material, custom scales and calibration



www.eskopacific.com
ELC DATASHEET

ELC PURGE FLOW METER

FLOW METER

ELC

BODY MATERIAL

Acrylic

A

FLOW RANGE

WATER

AIR

	WATER		AIR		
	GPH	LPM	SCFH	NLPM	
	0.35	0.02	2.5	1.3	A
	0.6	0.04	3.5	1.8	B
	1	0.06	5.5	2.6	C
	1.5	0.1	8.5	4	D
	2.2	0.14	14	6	E
	4	0.25	18	9	F
	6	0.4	28	12	G
	9	0.55	40	18	H
	12	0.8	60	30	I
	20	1.2	100	45	J
	40	2.5	120	60	K

SCALE

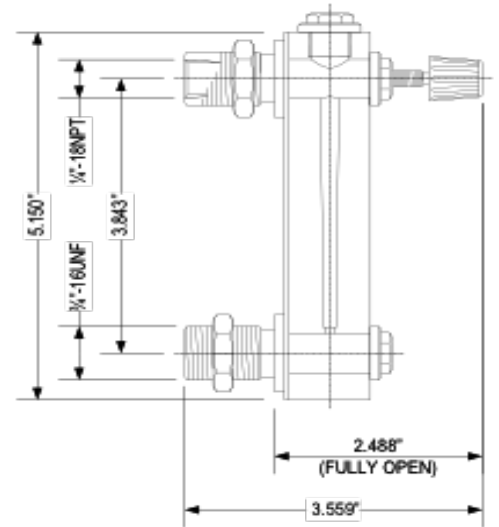
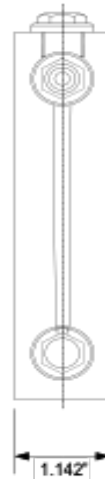
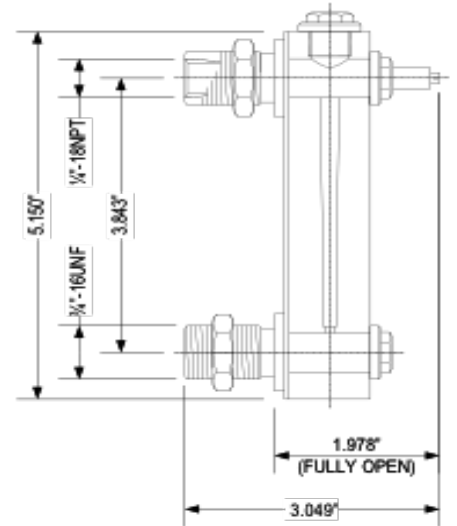
- Water GPH 1
- Air SCFH (14.7 psia @ 70°F) 2
- Dual Scale GPH / SCFH 3
- Water LPM 4
- Air NLPM (101.3 kPa @ 20°C) 5
- Dual scale LPM / NLPM 6
- Percent scale 10-100% 7
- Relative scale (1-10) R
- Special scale available* X

OPTIONS

- PVC fittings
- Long body

T

L



HOW TO SPECIFY MODEL NUMBER, an EXAMPLE:

ELC meter for water flow, with PVC fittings:

1. Select meter type **ELC** (acrylic tube is standard)
2. Specify flow range **H** up to 9 GPH water
3. Choose scale type **1** for water
4. Add build option **T** for PVC fittings

ELC-A
ELC-AH
ELC-AH1
ELC-AH1-T

SPECIAL ORDER CONSTRUCTION

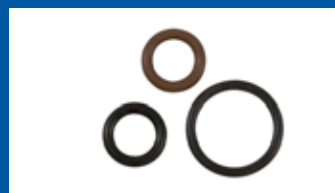
Custom scales and scale markings are available. For custom flow meters use order code ELC-X. A unique manufacturing number will be assigned at the time of production (eg. ELC-E8845) Contact us for details.



FLOW VALVE



FITTINGS



O-RINGS



CUSTOM SCALES