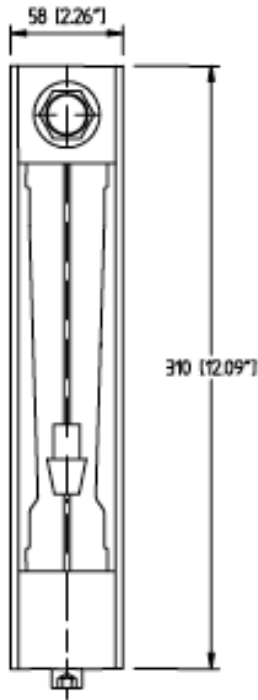


EH SERIES FLOW METERS

www.eskopacific.com
EH SERIES DATASHEET



EH
NO VALVE



EHO
VALVE ON OUTLET



EHR
VALVE ON OUTLET and
QUICK CHANGE TUBE

For medium range flows of liquids and gases.

A large, clear scale ensures quick and accurate measurement reading.

APPLICATIONS

- Sealing and cooling water measurement
- Lubrication oil measurement
- Mixing of gases

FEATURES

- Built-in control valve
- Sturdy construction, impact resistant tube
- Large selection of flow ranges and materials
- Alarm ready
- Easy to install, clean and maintain

EH SERIES FLOW METERS

SPECIFICATIONS

MODEL	EH-A	EH-S	EH-D
BODY MATERIAL	ALUMINUM	DELRIN®(POM)	SS316
Metering tube	Grilamid® TR 55 or Polysulphone PSU	Grilamid® TR 55 or Polysulphone PSU	Grilamid® TR 55 or Polysulphone PSU
Float material	SS316	SS316	SS316
O-ring seals	Nitrile (optional Viton® or EPDM)	Nitrile (optional Viton® or EPDM)	Nitrile (optional Viton® or EPDM)
Maximum pressure	440 psi	290 psi	440 psi
Maximum temperature			
Grilamid® tube	176°F / 80°C	176°F / 80°C	176°F / 80°C
Polysulphone PSU tube	248°F / 120°C	248°F / 120°C	248°F / 120°C
Connections	1" NPT	1" NPT	1" NPT
Weight	4.2 lb (1.9 kg)	3.1 lb (1.4 kg)	6.8 lb (3.1 kg)
Build options	Tube material, o-ring seals, threads, calibration for non-standard liquids & gases, PVDF end blocks, pressure gauge (with optional red set pointer) for EHI models		
Optional accessories	Adjustable alarm sensor		

FLOW METER

EH

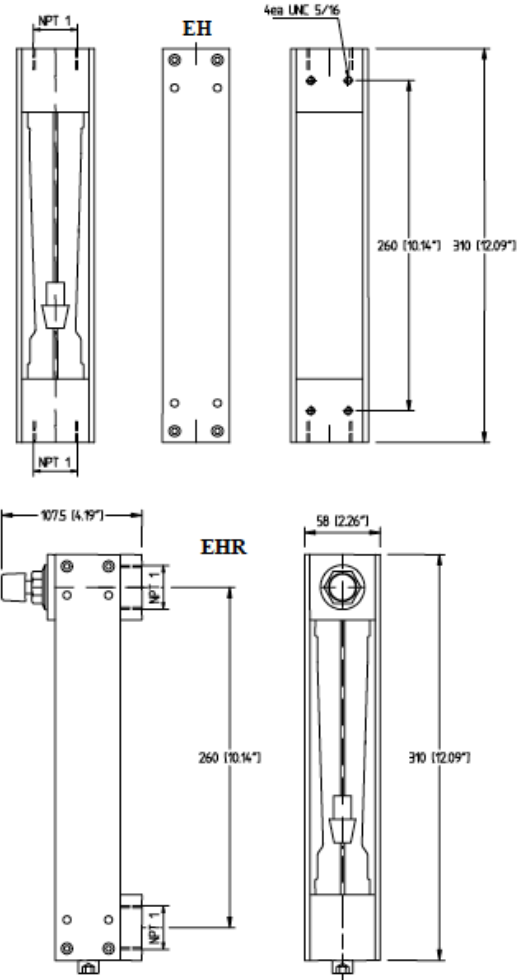
- NO FLOW CONTROL VALVE
- VALVE ON INLET (see EHI datasheet) **I**
- VALVE ON OUTLET **O**
- VALVE ON OUTLET & QUICK CHANGE TUBE **R**

- END BLOCK MATERIAL Aluminum **A**
- Delrin (POM) **D**
- Kynar (PVDF) **K**
- SS316 **S**

FLOW RANGE	WATER		AIR		
	GPM	LPM	SCFM	NLPM	
11	40	45	1200	A	
15	55	60	1600	B	
17	65	70	1800	C	
22	85	100	2600	D	
-	-	-	-	E	
30	120	-	-	F	

- SCALE Water GPM **1**
- Air SCFM (14.7 psia @ 68°F) **2**
- Dual Scale GPM / SCFM **3**
- Water LPM **4**
- Air NLPM (101.3 kPa @ 20°C) **5**
- Dual Scale LPM / NLPM **6**
- Relative Scale (1-10) **R**

- OPTIONS Alarm readiness **A**
- PES/PSU flowtube **P**
- Viton o-ring seals **V**
- EPDM o-ring seals **E**



HOW TO SPECIFY MODEL NUMBER, an EXAMPLE:

EH meter for air flow built with Delrin end blocks, comes with viton o-rings:

- 1. Select end block material **D** for Delrin (POM) **EH-D**
- 2. Specify flow range **D** up to 85 SCFM **EH-DD**
- 3. Choose scale type **2** for air **EH-DD2**
- 4. Add option **V** for viton o-rings **EH-DD2-V**

SPECIAL ORDER CONSTRUCTION use order code **EH-EXXXX**

A unique manufacturing number will be assigned at the time of production (eg. EHR-E7345)
Contact us for details.



BODY MATERIALS



PRESSURE GAUGE



ALARM



QUICK CHANGE TUBE