



EDF DUAL SEAL WATER MONITOR

www.eskopacific.com
EDF DATASHEET

For applications requiring uninterrupted seal water flow for cooling and lubrication.

Save resources, extend seal life.

APPLICATIONS

- Seal flush systems
- Single and double mechanical seals
- Gland packings
- Flow measurement

FEATURES

- Solid and reliable
- Extra large flow channels
- Clog resistant flow control valve
- Built-in tube cleaner
- Alarm ready
- Freeze resistant PSU tube available
- Excellent corrosion and heat resistance

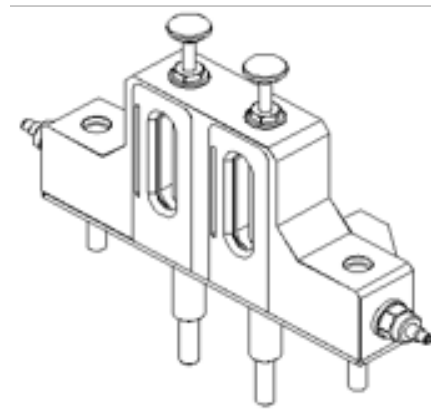
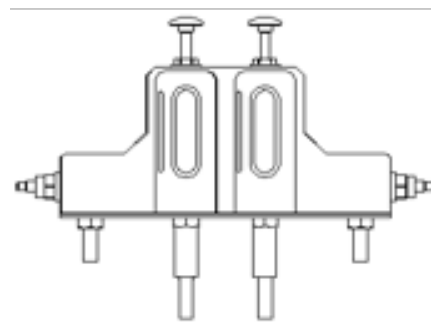
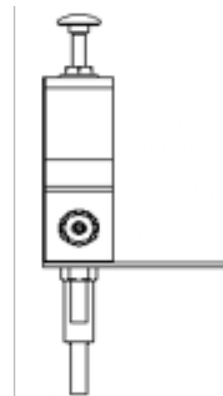
EDF DUAL SEAL WATER MONITOR



SPECIFICATIONS

MODEL	EDF-P	EDF-K
BODY MATERIAL	DELRIN® (POM)	KYNAR® (PVDF)
Metering tube	Polysulphone (PSU), Borosilicate glass or PES	PES, Polysulphone (PSU) or Borosilicate glass
Metallic parts	SS316 or SS304	SS316 or SS304
O-ring seals	Viton® or EPDM	Viton® or EPDM
Maximum pressure	435 psi	435 psi
Maximum temperature	212°F / 100°C (with PSU)	266°F / 130°C (with PSU)
Connections	3/8" or 1/2" hose barbs 3/8" OD straight tubes 3/8" compression fittings (with nut and 2 ferrules) 1/4" NPT male or female threads	
Weight	5 lb (2.3 kg) (complete with pressure gauge, pressurizing valve and packaging)	
Build options	Body material, metering tube, metallic parts, o-ring seals, connections	
Optional accessories	Inductive adjustable alarm sensor and holder, pressure gauge (with optional red set pointer), floor mounting stand, pressurizing valve	

SEAL WATER MONITOR	EDF	-					X			
DUAL FLOW MONITOR										
1 LPM	17 GPH									120
3 LPM	50 GPH									350
8 LPM	2 GPM									82
13 LPM	3.5 GPM									1335
BODY MATERIAL										
Delrin (POM)										P
Kynar (PVDF)										K
CONNECTION TYPE										
3/8" ID hosebarb										H
1/4" NPT/M adapter										M
1/4" NPT/F adapter										N
1/2" OD straight tube										O
1/2" ID hosebarb										R
3/8" OD straight tube										S
3/8" compression fittings (c/w nut & ferrules)										T
10mm hosebarb										W
1/2" compression fittings (c/w nut & ferrules)										Y
PRESSURE GAUGE										
15 psi										A
30 psi										B
60 psi										C
100 psi										D
160 psi										E
200 psi										F
300 psi										G
400 psi										H
100 psi with red set pointer										I
160 psi with red set pointer										J
200 psi with red set pointer										K
300 psi with red set pointer										L
400 psi with red set pointer										M
No pressure gauge										X
PRESSURIZING VALVE, standard on EDF										
STAND										
Floor mounting stand										S
No stand										X
ALARMS										
Alarm 10-55 VDC 150 mA (IG 5919)										A
Alarm 20-250 VAC/DC 300 mA (IG 0374)										B
Dual Alarm 10-55 VDC 150 mA										C
Dual Alarm 20-250 VAC/DC 300 mA										D
No alarm										X



HOW TO SPECIFY MODEL NUMBER, an EXAMPLE: EDF1335-PTXXS

EDF for 3.5 GPM with POM end blocks, 3/8" compression fittings and stand:

- | | |
|---|----------------------|
| 1. Specify flow rate up to 3.5 GPM | EDF1335 |
| 2. Select end block material P for Delrin (POM) | EDF1335-P |
| 3. Specify connection type T 3/8" compression fittings | EDF1335-PT |
| 4. No pressure gauge, insert X in model number | EDF1335-PTX |
| 5. Pressurizing valve standard, insert X in model number | EDF1335-PTXX |
| 6. Add option S for floor mounting stand | EDF1335-PTXXS |
| 7. No alarm, leave off trailing X at end | EDF1335-PTXXS |



BODY MATERIALS



MOUNTING STAND



PRESSURE GAUGE



ALARM SENSOR(S)