



ESF SEAL WATER FLOW METER

www.eskopacific.com
ESF DATASHEET



For water flows up to 3.5 gallons per minute.

Clog resistance flow control valve and large flow channels.

APPLICATIONS

- Seal flush systems
- Single and double mechanical seals
- Gland packings
- Flow measurement

FEATURES

- Solid and reliable
- Extra large flow channels
- Clog resistant flow control valve
- Built-in tube cleaner
- Alarm ready
- Freeze resistance PSU tube available

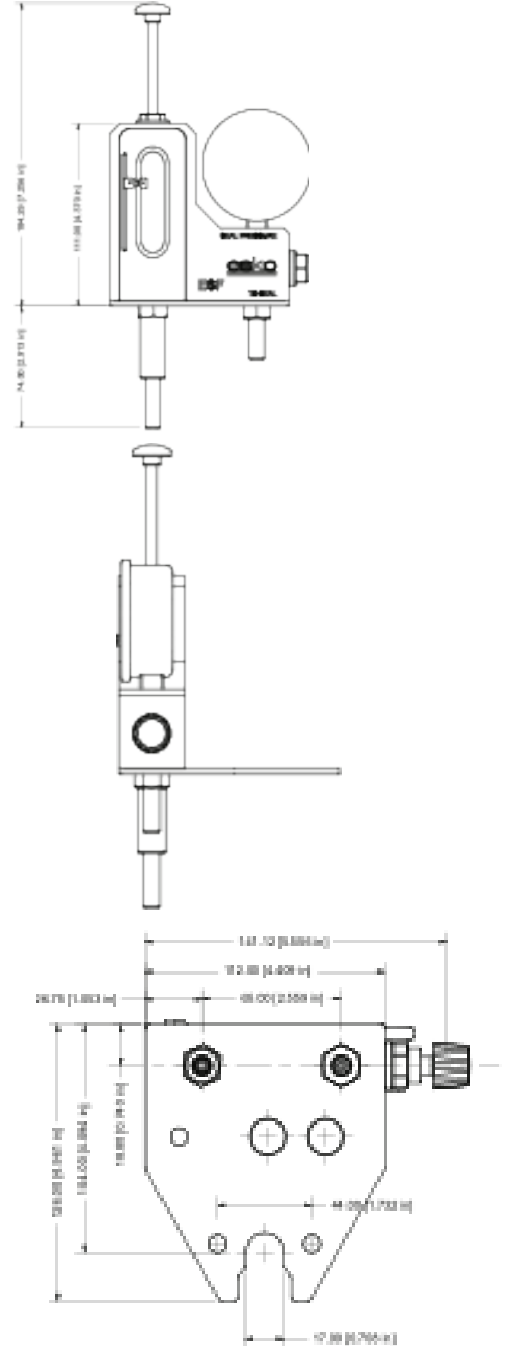
ESF SEAL WATER FLOW METER

SPECIFICATIONS

MODEL	ESF-P	ESF-K
BODY MATERIAL	DELTRIN®	KYNAR®
Metering tube	Polysulphone (PSU), Borosilicate glass or PES	Polysulphone (PSU), Borosilicate glass or PES
Metallic parts	SS316 or SS304	SS316 or SS304
O-ring seals	Viton® or EPDM	Viton® or EPDM
Maximum pressure	435 PSI	435 PSI
Maximum temperature	212°F / 100°C	266°F / 130°C
Connections	3/8" or 1/2" hose barbs 3/8" OD straight tubes 3/8" compression fittings (with nut and 2 ferrules) 1/4" NPT male or female threads	
Weight	3.5 lb (1.5 kg) (complete with pressure gauge, pressurizing valve and packaging)	
Build options	Body material, metering tube, metallic parts, o-ring seals, connections	
Optional accessories	Inductive adjustable alarm sensor and holder, pressure gauge (with optional red set pointer), floor mounting stand, pressurizing valve.	

Order Guide

ESF	-	<input type="text"/>	<input type="text"/>
			FLOW RANGE
120			1 LPM / 17 USGPH
350			3 LPM / 50 USGPH
82			8 LPM / 2 USGPM
1335			13 LPM / 3.5 USGPM
			BODY MATERIAL
P			Delrin (POM) (STANDARD)
K			Kynar
			CONNECTION TYPE
H			3/8" hose barb (STANDARD)
R			1/2" hose barb
S			3/8" OD straight tube
T			3/8" compression fitting with nut and ferrules
N			1/4" female NPT thread
M			1/4" male NPT thread
			PRESSURE GAUGE
A			15 psi
B			30 psi
C			60 psi
D			100 psi
E			160 psi
F			200 psi
G			300 psi
H			400 psi
I			100 psi with red set pointer
J			160 psi with red set pointer
K			200 psi with red set pointer
L			300 psi with red set pointer
M			400 psi with red set pointer
			OPTIONS
P			Pressurizing valve
S			Floor mounting stand
A			Alarm (10-55 VDC 150mA) IG5919
B			Alarm (20-250 VAC/DC 300mA) IG0374



BODY MATERIALS



FITTINGS



PRESSURE GAUGE



ALARM SENSOR