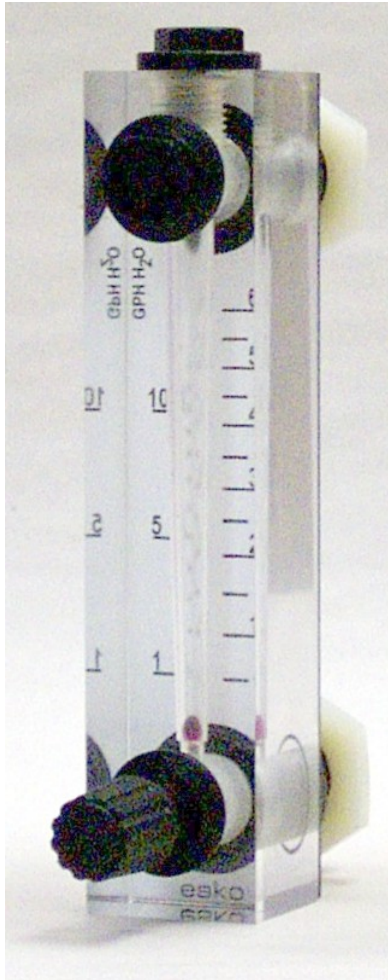


APPLICATIONS: Water and air purge, low flow water and air flow monitoring.

The ELC flow meter is a new alternative for monitoring air and water purge flows, or low flows of other liquids and gases. Based on the popular ELF design, the ELC incorporates many of the same design features and options.



Applications

- Water and air purging
- Liquid and gas flow monitoring

Features

- Clear and easy to read scale
- Available in a selection of flow ranges
- Backout proof flow adjustment valve can be moved between inlet and outlet
- Modular design for simplified scale changes and reduced delivery times
- Built in North America with North American parts sizes
- Easy to install, clean and maintain

Options

- Hand adjustment knob for flow control valve
- Calibration for non-standard gases and liquids
- Custom scales and scale markings

Technical Specifications

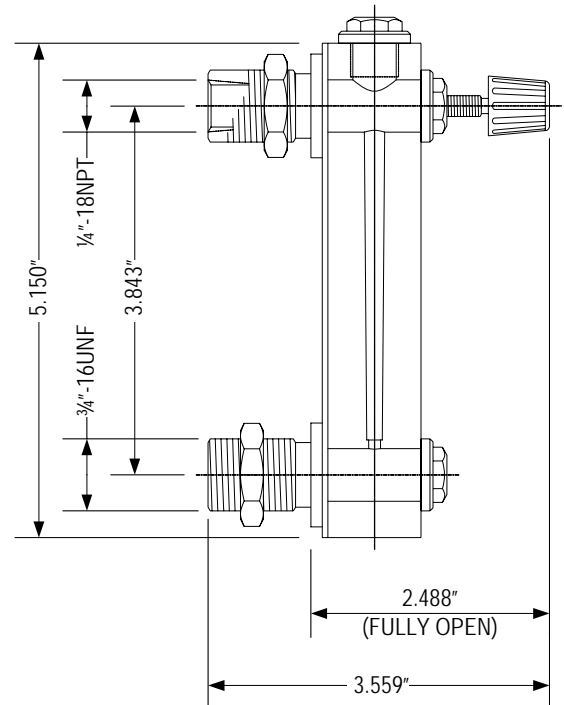
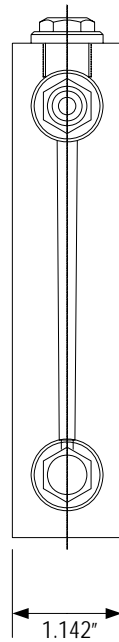
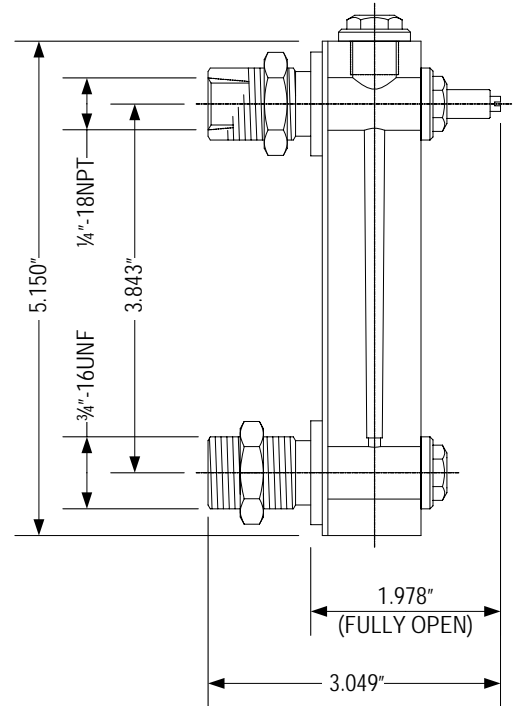
	ELC-A
Body	Acrylic
O-ring seals	Nitrile
Process connections	¼" NPT POM
Valve assembly	POM / SS 316
Options	Hand knob, special scale
Maximum pressure	145 psi @ 68°F (20°C)
Maximum temperature	122°F (50°C) @ 30 psi
Accuracy	±10% F.S. H ₂ O @ 68°F (20°C)
Weight	0.26 lb (120 g)



Flowmeter ELC

Order Guide

ELC -								
								BODY MATERIAL
	A							Acrylic
								FLOW RANGE
								WATER
								AIR
								USGPH
								LPM
								SCFH
								NLPM
	A							0.35
								0.02
								2.5
								1.3
	B							0.6
								0.04
								3.5
								1.8
	C							1.0
								0.06
								5.5
								2.6
	D							1.5
								0.1
								8.5
								4
	E							2.2
								0.14
								14
								6
	F							4
								0.25
								18
								9
	G							6
								0.4
								28
								12
	H							9
								0.55
								40
								18
	I							12
								0.8
								60
								30
	J							20
								1.2
								100
								45
	K							40
								2.5
								120
								60
								SCALE
								1
								Water USGPH
								2
								Air SCFH (14.7 psia @ 70°F)
								3
								Dual Scale USGPH / SCFH
								4
								Water LPM
								5
								Air NLPM (101.3 kPa @ 20°C)
								6
								Dual scale LPM / NLPM
								7
								Percent scale 10-100%
								R
								Relative scale (1-10)
								X
								Special scale *
								OPTIONS
								H
								Hand adjusting knob



- How to specify the model number (eg. ELC-AH1-H)
1. Select flowrange and scale (**H1** for 9 USGPH water)
 2. Select options (**H** for handknob)

*** Special scale**

Custom scales and scale markings are available. For custom flow meters use order code ELC-X. A unique manufacturing number will be assigned at time of production (eg. ELC-E8845). Contact Esko for details.

Manufacturer

Distributor

esko PACIFIC SALES LTD.

Canada: 3480 Gardner Court, Burnaby, BC V5G 3K4
 USA: PO Box 5547, Bellingham WA 98227-5547
 Toll free: 1-800-665-3756 (ESKO)
 Fax: 604-294-3727
 Email: info@eskopacific.com
 Internet: www.eskopacific.com